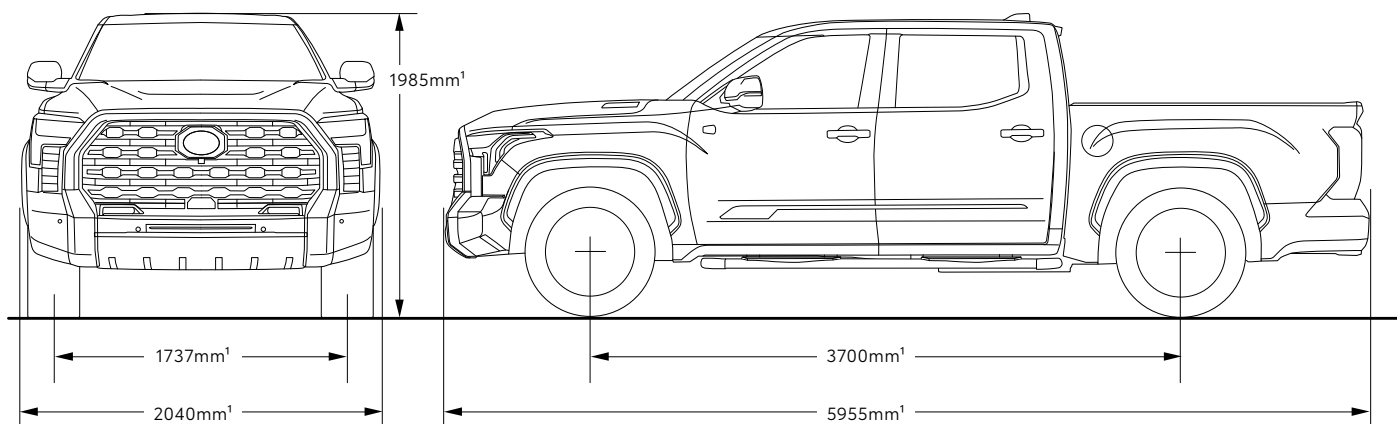


# Tundra



Please Note: information is accurate as at May 2026.

Specification and imagery are indicative and should only be used as a guide. Vehicle and accessory specification, features, colour and trim may differ at the time of vehicle delivery.



MECHANICAL SPECIFICATIONS		Tundra
ENGINE	Engine code	V35A-FTS
	Description	3.5L V6 twin turbo
	Displacement (cm <sup>3</sup> )	3445
	Engine power (kW)	290
	Engine torque (Nm)	649
	Motor power (kW)	36
	Motor torque (Nm)	250
	Combined System Power (kW)	326
	Combined System Torque (Nm)	790
DRIVETRAIN	Driveline	Part-time 4WD, electronic 2-speed transfer case
	Transmission	10-speed automatic
	Differential	Automatic limited-slip differential
WHEELS AND TYRES	Wheel	20"
	Tyres	265/60/R20 Bridgestone <sup>3</sup> tyres
	Spare tyre	18" space saver tyre
WEIGHTS AND CAPABILITIES (APPROXIMATE)	Fuel capacity <sup>1</sup> (L)	122
	Kerb weight max <sup>1</sup> (kg)	Limited: 2792 / Platinum: 2834
	Front axle capacity (kg)	1850
	Rear axle capacity (kg)	1850
	Gross vehicle weight <sup>1</sup> (kg)	3536
	Gross Combination Mass <sup>1</sup> (kg)	Limited: 8030 / Platinum: 7980
	Seating capacity	5
	Towing capacity <sup>2</sup>	4500kg with brake; 750kg without brake
	Running clearance (mm)	216

TUNDRA GRADE		Limited	Platinum
EXTERIOR	LED headlamps with manual levelling	•	•
	LED combination lamps	•	•
	Tailgate release switch	•	•
	Power tailgate with remote release	•	•
	Black alloy wheels		•
	Mesh style front grille		•
	Horizontal bar front grille	•	
	Crushed tube side steps	•	•
	Front and rear mudguards	•	•
	Heated power side mirrors	•	•
	i-Force Max bonnet badge	•	•
	Tub cargo management system	•	•
	LED tub lamps		•
	Plated exterior door handles	•	

TUNDRA GRADE		Limited	Platinum
INTERIOR	Leather accented seats	•	
	Premium leather accented seats		•
	8-way power adjustment for driver and front passenger seats	•	•
	Driver and front passenger power lumbar support	•	
	4-way driver and front passenger lumbar support		•
	10-way passenger power front seat		•
	Heated and ventilated front seats	•	•
	2x heated and ventilated rear seats		•
	Driver and front passenger massage seats		•
	Leather accented steering wheel with audio, Multi-Information Display, voice recognition and telephone controls	•	•
	Manual tilt and telescope steering column	•	
	Power tilt and telescope steering column with memory		•
	Leather accented gear shift knob	•	•
	Painted interior door handles	•	
	Centre console with open storage trays	•	•
	Moulded assist grips	•	•
	Carpet floor mats	•	•
	4x cup holders	•	•
	Front dual-zone climate control	•	•
	Illuminated centre console storage bin	•	•
Glove box	•	•	
Panoramic roof		•	
Heated steering wheel		•	
INSTRUMENTS AND CONTROLS	Digital display auto-dimming rear view mirror	•	•
	Front and rear parking sensors	•	•
	Variable speed windscreen wipers	•	
	Rain sensing wipers		•
	Power fuel lid	•	•
	Electronic parking brake	•	•
	Tyre pressure monitoring system	•	•
	Power sliding rear glass	•	•
	Rear door window pull-up sunshades		•
	Wireless charger <sup>3</sup>	•	•
	Panoramic View Monitor <sup>4</sup>	•	•
	Shark fin antenna	•	•
	Immobiliser and alarm	•	•
	5x USB ports – 3x front, 2x rear	•	•
	Smart entry	•	•
Front and rear LED interior lights	•	•	
MULTIMEDIA	14" colour touchscreen display	•	•
	12-speaker JBL® <sup>5</sup> premium audio system	•	•
	Wireless Apple CarPlay® <sup>6</sup>	•	•
	Wired Android Auto™, <sup>6</sup>	•	•
	12.3" Multi-Information Display	•	•
	10.9" colour Head-Up Display		•
SAFETY	Toyota Safety Sense <sup>4</sup> – including Active Cruise Control, Lane Trace Assist, Lane Departure Alert, Pre-Collision Safety system with pedestrian and daytime cyclist detection and Automatic High Beam	•	•
	8x airbags	•	•
	Rear Cross Traffic Alert <sup>4</sup>	•	•
	Blind Spot Monitor <sup>4</sup>	•	•

1 Weights/mass/volumes/dimensions are approximate and subject to individual vehicle variances, and should be confirmed before fitting any accessories, towing or otherwise relying on this value.  
2 Maximum vehicle braked towing capacity is subject to state and federal regulatory requirements. Before towing, customers should consider the vehicle's limitations, including towing capacity specifications, gross vehicle mass (GVM), gross combined mass (GCM), kerb weight specified by the manufacturer, and ensure that individual front and rear axle load limits are not exceeded as also specified by the manufacturer. Vehicle payload calculation is GVM less kerb weight or as otherwise specified in the vehicle owner's manual. Actual payload is affected by any added load to the vehicle, including the number of occupants, luggage, accessories, and tow ball download weight. It is important to consider the actual payload, to ensure the fully loaded vehicle remains within the specified GVM limits. For more details, please refer to the vehicle's Owner's Manual/ Toyota Basic Towing Guide or consult your authorised dealer. Toyota recommends use of a Load

Distribution Hitch (LDH) when towing loads greater than 2.2T as specified in the Owner's Manual. Based on road conditions, an LDH may not be suitable. Toyota Genuine LDH sold separately at additional cost. Warranty conditions apply. Refer to **Toyota Warranty Advantage Guide**.  
3 Only Qi-supported devices compatible. Refer to device manufacturer. May require additional purchase of accessory to support wireless charging.  
4 Driver assist feature. Only operates under certain conditions. Check your Owner's Manual for explanation of limitations. Please drive safely.  
5 Product and company names are trademarks of their respective owners.  
6 CarPlay® and Siri® are trademarks of Apple, Inc. registered in the U.S. and other countries. Android Auto™ is a trademark of Google LLC. Requires compatible device, USB connection or Bluetooth® connection for vehicles fitted with wireless CarPlay,® mobile data, network reception and GPS signal. Mobile usage at user's cost. Apps subject to change. For details, see [toyota.com.au/services/connected](http://toyota.com.au/services/connected)

**IMPORTANT NOTICE – PLEASE READ:**

Toyota Australia uses its best endeavours to ensure material is accurate at the time of publishing. All information must be confirmed with your Toyota Dealer at the time of ordering, as specifications, applicability and availability may change over time. Colours depicted are a guide only and may vary from actual colours due to the printing/display process. Toyota Australia reserves the right to change and/or discontinue, without notice, models, prices, colours, materials, equipment, specifications. To the extent permitted by law, Toyota Australia will not be liable for any damage or loss incurred from

relying on the information and images contained in this material. Distributed nationally (other than in Western Australia) by Toyota Motor Corporation Australia Limited ABN 64 009 686 097. Material distributed in Western Australia by or on behalf of Prestige Motors Pty Ltd (for vehicles) and by Eastpoint Pty Ltd (for parts/accessories). Toyota Australia makes no warranties regarding (and will not be liable for) accuracy of materials distributed in Western Australia. PROOF HQ: T2025-023039. GTO-009469-01. VERSION: MAY 2026.