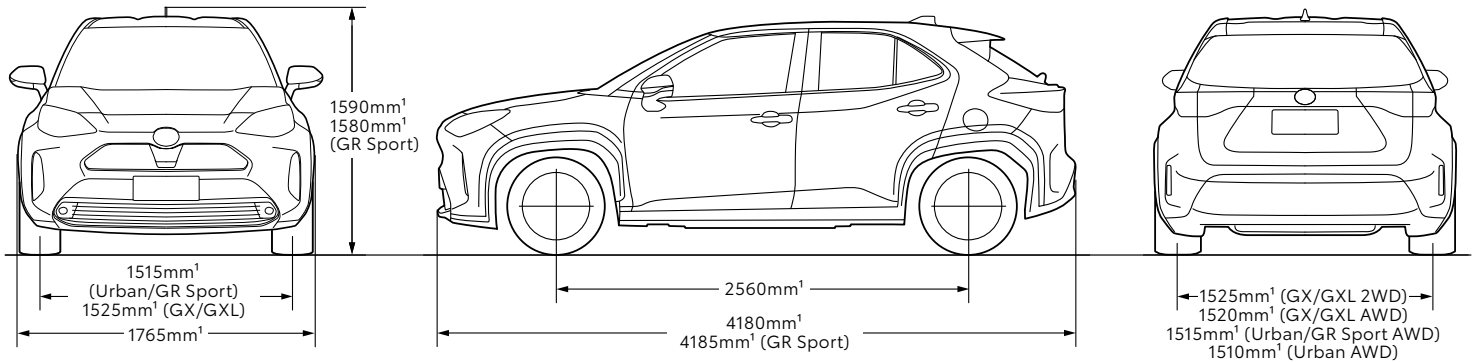


# Yaris Cross



**Please Note: information is accurate as at May 2026.**

Specification and imagery are indicative and should only be used as a guide. Vehicle and accessory specification, features, colour and trim may differ at the time of vehicle delivery.



MECHANICAL SPECIFICATIONS		Yaris Cross		
ENGINE	Engine code	M15A-FXE Toyota Hybrid Electric		
	Description	1.5L 3-cylinder Toyota Hybrid Electric System		
	Max power (kW)	85 (Combined hybrid)		
	Engine torque (Nm)	Front	141	
		Rear	52 (AWD only)	
	CO <sub>2</sub> emissions <sup>2</sup> (combined g/km) Results were achieved under laboratory conditions and do not reflect the emissions in real world driving		2WD = 86 / AWD = 90	
	Fuel economy <sup>3</sup> (L/100km) Results were achieved under laboratory conditions and do not reflect the fuel consumption in real world driving	Combined	2WD = 3.8 / AWD = 4.0	
		Extra urban	2WD = 4.2 / AWD = 4.3	
Urban		2WD = 3.3 / AWD = 3.6		
Recommended fuel octane rating		91		
TRANSMISSION	Continuously Variable Transmission (Auto CVT)	•		
BRAKES	Front	Ventilated disc brake		
	Rear	Solid disc brake		
	Brake control system	Anti-lock Braking System with Vehicle Stability Control and Brake Assist		
	Electronic Parking Brake	•		
	Regenerative braking system	•		
	Front and rear red brake calipers with GR logo	GR Sport only		
SUSPENSION	Suspension	MacPherson strut-type front suspension 2WD = Torsion beam rear suspension / AWD = 2-link double wishbone rear suspension		
	Front and rear GR Sport suspension package	GR Sport only		

YARIS CROSS GRADE		2WD	AWD
WEIGHTS AND CAPACITIES (APPROXIMATE)	Braked towing capacity <sup>4</sup> (kg)	400 (Excluding GR Sport)	400
	Unbraked towing capacity <sup>4</sup> (kg)	400 (Excluding GR Sport)	400
	Vehicle kerb weight <sup>1</sup> (kg)	1235 max	1305 max
	Gross vehicle weight <sup>1</sup> (kg)	1650	1720
	Seating capacity	5	5
	Cargo capacity <sup>1</sup> (VDA) (Max) (L)	390	314
	Fuel tank capacity <sup>1</sup> (L)	36	36

YARIS CROSS GRADE		2WD	AWD
WHEELS	Size	16" (GX and GXL) 18" (Urban) 18" unique GR Sport wheels	16" (GX and GXL) 18" (Urban)
	Spare wheel	Temporary spare wheel	Tyre repair kit
EXTERIOR	LED Daytime Running Lamps	•	•
	Halogen headlamps	GX only	GX only
	LED headlamps	Excluding GX	Excluding GX
	Rear LED fog lamps	•	•
	Auto-electronically retractable and heated door mirrors	•	•
INTERIOR	Leather accented steering wheel	•	•
	Steering wheel with GR logo	GR Sport only	
	Heated front seats	Urban only	Urban only
	Fabric seats	•	•
	Black Ultrasuede™ <sup>5</sup> with leather accented seats	GR Sport only	
	Front seat headrests with GR logo	GR Sport only	
	Rear and Rear Side Privacy Glass	Excluding GX	Excluding GX
	Front and rear power operation windows	•	•
	40:20:40 split fold rear seats	•	•
INSTRUMENTS AND CONTROLS	7" Multi Information Display	•	•
	Dashboard display	Dual LCD digital	Dual LCD digital
	Head-Up Display	Urban only	Urban only
	Drive mode select	•	•
	Smart entry and start system	•	•
	Automatic climate control air conditioning	•	•
	nanoe X™ <sup>5</sup> air conditioning technology	Urban and GR Sport	Urban only
	USB <sup>6</sup> charging point	Urban only	Urban only
STORAGE AND CONVENIENCE	2x centre console cup holders	•	•
	Illuminated entry	•	•
	Front and rear door pocket bottle holder	•	•
MULTIMEDIA	8" colour touchscreen display	•	•
	Satellite navigation <sup>7</sup>	GXL and Urban	GXL and Urban
	USB Type C	•	•
	Digital radio <sup>7</sup>	•	•
	Bluetooth® <sup>8</sup> connectivity	•	•
	Voice recognition, Mobile Assistant, Siri® <sup>9</sup> Eyes Free and Miracast® <sup>6</sup>	•	•
	Wireless Apple CarPlay® <sup>9</sup> and wireless Android Auto™ <sup>9</sup>	•	•
	6-speaker audio	•	•
	Steering wheel controls for Multi Information Display, telephone and audio	•	•

YARIS CROSS GRADE		2WD	AWD
SAFETY <sup>10</sup>	Lane Trace Assist	•	•
	Pre-Collision Safety system with pedestrian (day and night) and cyclist (day) detection	•	•
	Intersection Collision Avoidance Support – day	•	•
	Road Sign Assist – speed signs only	•	•
	Automatic High Beam	•	•
	All-speed Active Cruise Control	•	•
	Blind Spot Monitor with Safe Exit Assist	•	•
	Rear Cross Traffic Alert	•	•
	Reversing camera with Back Guide Monitor	•	•
	Anti-lock Braking System and Brake Assist	•	•
	Vehicle Stability Control and Traction Control	•	•
	Hill-start Assist Control	•	•
	Active Cornering Assist	•	•
	8x SRS airbags – front, front side, front centre and curtain	•	•
	Seatbelt warning	•	•
	ISOFIX child restraint anchorage points – rear seats	•	•
Engine immobiliser	•	•	
Front and rear parking sensors with Parking Support Brake	•	•	
TOYOTA CONNECTED SERVICES <sup>11,12,13</sup>	Toyota Essentials Emergency	Complimentary until Telstra 4G sunset or termination of services in accordance with our T&Cs	
	Toyota Essentials	Complimentary until Telstra 4G sunset or termination of services in accordance with our T&Cs	
	Toyota Connect+	1 year complimentary access – Fees apply thereafter. Subject to Telstra 4G sunset or termination of services in accordance with our T&Cs	
	Toyota Connected Multimedia	1 year complimentary access – Fees apply thereafter. Subject to Telstra 4G sunset or termination of services in accordance with our T&Cs	

1 Weights/mass/volumes/dimensions are approximate and subject to individual vehicle variances, and should be confirmed before fitting any accessories, towing or otherwise relying on this value.

2 Results were achieved under laboratory conditions and do not reflect the emissions in real world driving. Results achieved for Yaris Cross SUV hybrid petrol in ADR81/02 combined drive cycle CO<sub>2</sub> testing. Combined cycle results achieved 86g/km 2WD and 90g/ km AWD. Results produced in laboratory test conditions, using new sample vehicles without fitment of accessories/customisation, and may not be replicable.

3 Results were achieved under laboratory conditions and do not reflect the fuel consumption in real world driving. Results achieved for Yaris hatch hybrid petrol in ADR81/02 combined drive cycle fuel consumption testing. Consumption rate of 3.3L/100kms (2WD) and 3.6L/100kms (AWD) achieved in Urban cycle. Results produced in laboratory test conditions, using new sample vehicles without fitment of accessories/customisation, and may not be replicable.

4 Maximum vehicle braked towing capacity is subject to state and federal regulatory requirements. Before towing, customers should consider the vehicle's limitations, including towing capacity specifications, gross vehicle mass (GVM), gross combined mass (GCM), kerb weight specified by the manufacturer, and ensure that individual front and rear axle load limits are not exceeded as also specified by the manufacturer. Vehicle payload calculation is GVM less kerb weight or as otherwise specified in the vehicle owner's manual. Actual payload is affected by any added load to the vehicle, including the number of occupants, luggage, accessories, and tow ball download weight. It is important to consider the actual payload, to ensure the fully loaded vehicle remains within the specified GVM limits. For more details, please refer to the vehicle's Owner's Manual/ Toyota Basic Towing Guide or consult your authorised dealer. Toyota recommends use of a Load Distribution Hitch (LDH) when towing loads greater than half of the vehicle's GVM or as specified in the Owner's Manual. Based on road conditions, a LDH may not be suitable. Refer to Toyota Basic Towing Guide. Toyota Genuine LDH sold separately at additional cost. Warranty conditions apply. Refer to Toyota Warranty Advantage Guide.

5 Product and company names are trademarks of their respective owners.

6 Compatibility and functionality varies depending on device.

7 Coverage varies based on vehicle location.

8 Bluetooth® is a registered trademark of Bluetooth SIG, Inc.

9 CarPlay® and Siri® are trademarks of Apple, Inc. registered in the U.S. and other countries. Android Auto™ is a trademark of Google LLC. Requires compatible device, USB connection or Bluetooth® connection for vehicles fitted with wireless Apple CarPlay® and Android Auto™ mobile data, network reception and GPS signal. Mobile usage at user's cost. Apps subject to change. Please drive safely.

10 Driver assist feature. Only operates under certain conditions. Check your Owner's Manual for explanation of limitations. Please drive safely

11 See [toyota.com.au/services/connected/terms-conditions](https://toyota.com.au/services/connected/terms-conditions) for T&Cs.

12 Complimentary periods commence upon delivery date. Fees may apply there after. Not available outside Australia, if services disabled or terminated or after Telstra 4G sunset. Dependent on enabled DCM, GPS signal strength, mobile network coverage, mobile app data (at user's cost), enabled push notifications and other factors outside Toyota's control which can limit ability or functionality of system. Check your Owner's Manual or [toyota.com.au/services/connected](https://toyota.com.au/services/connected) for explanation of limitations. Please drive safely.

13 The myToyota Connect App supports vehicles with a Build date from 2009 onwards, with or without Toyota Connected Services. Requires compatible device and app installation, mobile data (at user's cost), Australian network reception, GPS signal, enabled push notifications and other factors outside Toyota's control which can limit functionality. Features vary by model and may change. See [toyota.com.au/services/connected](https://toyota.com.au/services/connected) for more information.

**IMPORTANT NOTICE – PLEASE READ:** Toyota Australia uses its best endeavours to ensure material is accurate at the time of publishing. All information must be confirmed with your Toyota Dealer at the time of ordering, as specifications, applicability and availability may change over time. Colours depicted are a guide only and may vary from actual colours due to the printing/display process. Toyota Australia reserves the right to change and/or discontinue, without notice, models, prices, colours, materials, equipment, specifications. To the extent permitted by law, Toyota Australia will

not be liable for any damage or loss incurred from relying on the information and images contained in this material. Distributed nationally (other than in Western Australia) by Toyota Motor Corporation Australia Limited ABN 64 009 686 097. Material distributed in Western Australia by or on behalf of Prestige Motors Pty Ltd (for vehicles) and by Eastpoint Pty Ltd (for parts/accessories). Toyota Australia makes no warranties regarding (and will not be liable for) accuracy of materials distributed in Western Australia. PROOF HQ: T2026-023147. GTP-009826. VERSION: MAY 2026.