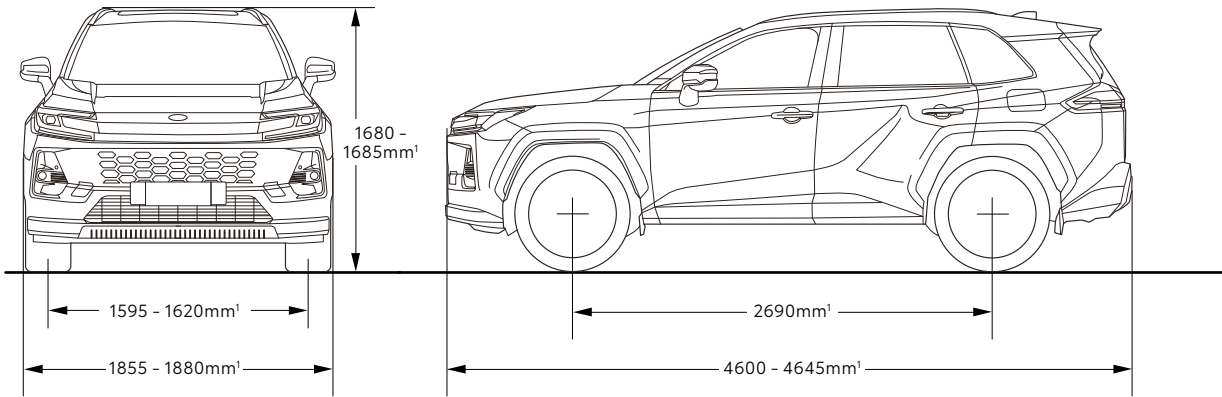


RAV4



Please Note: information is accurate as at May 2026.

Specification and imagery are indicative and should only be used as a guide. Vehicle and accessory specification, features, colour and trim may differ at the time of vehicle delivery.



MECHANICAL SPECIFICATIONS		2WD Hybrid	AWD Hybrid	2WD Plug-in Hybrid	AWD Plug-in Hybrid	
ENGINE	Engine description	2.5L Toyota Hybrid Electric System		2.5L Toyota Plug-in Hybrid Electric System		
	Displacement (cm ³)	2487		2487		
	Max power (kW@rpm)	Combined hybrid power = 143	Combined hybrid power = 143	Combined hybrid power = 201	Combined hybrid power = 227	
	Max torque (Nm@rpm)	Front	206	208	272	272
		Rear	N/A	121	N/A	123
	Bore x stroke (mm)	87.5 x 103.48		87.5 x 103.48		
Compression ratio	14.0 : 1		14.0 : 1			
FUEL	Fuel economy ² (L/100km) Results were achieved under laboratory conditions and do not reflect the fuel consumption in real world driving.	Combined	4.5	4.6	0.7	
		Extra urban	4.7	4.8	N/A	
		Urban	4.2	4.4	N/A	
	Fuel system	Fuel injection		Fuel injection		
	Recommended fuel octane rating	95 or more (Octane)		95 or more (Octane)		
PERFORMANCE	EV Driving Range (km) ³ Results were achieved under test conditions and do not reflect the driving range in real world driving. Actual driving range can be significantly less than test driving range, depending on various factors. To learn more about how different factors can impact range, please see our FAQs. toyota.com.au/explore/electrified/faqs	N/A		154 NEDC	144 NEDC	
	TRANSMISSION	Continuously Variable Transmission (Auto CVT)	.	.	.	
	Driveline	2WD	AWD	2WD	AWD	
BRAKES	Front and rear	Front: Ventilated disc brake with floating caliper 1-cylinder Rear: Solid disc brake with floating caliper 1-cylinder		Front: Ventilated disc brake with floating caliper 2-cylinder Rear: Ventilated disc brake with floating caliper 1-cylinder		
	Electronic Park Brake with brake hold	.		.		
STEERING	Steering type and system	Electric power steering – Rack and pinion		Electric power steering – Rack and pinion		
	Turning circle – kerb to kerb (m)	5.68		5.68		
SUSPENSION	Suspension	Front: Macpherson strut / Rear: Trailing wishbone		Front: Macpherson strut / Rear: Trailing wishbone		
WEIGHTS AND CAPACITIES	Towing capacity ⁴ – with trailer brakes	800	1500	800	1500	
	Towing capacity ⁴ – without trailer brakes	750		750		
	Seating capacity	5		5		
	Fuel tank capacity (L)	55		55		

RAV4 GRADE		GX	GXL	Edge	XSE	Cruiser	GR Sport	
DRIVETRAIN	Hybrid 2WD	•	•			•		
	Hybrid AWD	•	•	•	•	•		
	Plug-in Hybrid 2WD				•			
	Plug-in Hybrid AWD				•		•	
WHEELS	Design and size	17" alloy (dark grey)	18" alloy (dark grey)	18" alloy (matte grey)	20" alloy (gloss black)	20" alloy (machined black)	20" alloy (clear machined black)	
	Temporary spare wheel	•	•	•	•	•	•	
	Full size spare wheel – optional	•						
EXTERIOR	Front LED fog lamps	•	•	•	•	•	•	
	Aluminium roof rails	•	•	•	•	•	•	
	Resin spoiler, front and rear bumper	•	•	•	•	•	•	
	LED Daytime Running Lamps	•	•	•	•	•	•	
	LED rear combination lamps	•	•	•	•	•	•	
	Automatic headlamps – light sensitive	•	•	•	•	•	•	
	Dual tailpipes	•	•	•	•	•	•	
	Power adjustable side mirrors with heater, side turn signal and Blind Spot Monitor indicator	•	•	•	•	•	•	
	Rain sensing wipers		•	•	•	•	•	
	Unique GR Sport Front Performance Damper, Rear Performance Brace, Dedicated Front and Rear Tuned Suspension, 20mm Wider Tread, Exclusive Electric Power Steering Mapping and Rear Wing-Type Spoiler							•
	Unique GR Sport styling – GR Sport branded callipers, grille, steering wheel and seats							•
	Unique XSE black styling – including black wheel nuts and wheel arches, unique front and rear bumper, grille, overfenders				•			
	Unique Edge design bumper, wheel arch moulding, grille and fog lamp surrounds			•				
	Black resin door window frame, door belt, wheel arch, rocker and door lower moulding	•	•	•			•	
	Rear mudflaps	•	•	•	•	•	•	•
	Front mudflaps	•	•	•	•	•	•	•
	Rear privacy glass		•	•	•	•	•	•
	Tilt and slide moon roof				•			•
	Panoramic moon roof						•	
UV cut rear, side and windscreen glass	•	•	•	•	•	•	•	
INTERIOR	Gunmetal look door handle		•	•	•	•	•	
	Embossed fabric seats and upper door trim	•						
	Embossed fabric seats with synthetic upper door trim		•					
	Premium synthetic leather seat covering			•	•		•	
	Leather accented interior					•		
	Aluminium accelerator and brake pedals						•	
	Digital rear view mirror					•	•	
	Driver and front passenger heated seats (high/low)			•			•	
	Driver and front passenger heated and ventilated seats (high/medium/low)				•	•		
	2nd row (outer) heated seats					•		

RAV4 GRADE		GX	GXL	Edge	XSE	Cruiser	GR Sport
INTERIOR continued	Manual driver and passenger seat adjustment	•					
	2-way power driver lumbar support		•	•	•	•	•
	8-way power passenger seat adjustment				•	•	•
	8-way power driver seat adjustment		•	•	•	•	•
	Driver seat memory				•	•	
	Auto-dimming rear view mirror	•	•	•	•	•	•
	Front and rear power windows	•	•	•	•	•	•
	60/40 split fold rear seats	•	•	•	•	•	•
	Folding rear seat centre armrest	•	•	•	•	•	•
	Front dual zone climate control	•	•	•	•	•	•
	Rear passenger air vents	•	•	•	•	•	•
INSTRUMENTS AND CONTROLS	Drive Mode Select – trail and snow	AWD only					
	Downhill Assist Control	AWD only					
	Smart entry and smart start	•	•	•	•	•	•
	Tilt and telescopic adjustable steering column	•	•	•	•	•	•
	Automatic electronically retractable door mirrors	•	•	•	•	•	•
	Rain sensing wipers		•	•	•	•	•
	Heads-Up Display					•	•
STORAGE AND CONVENIENCE	Front centre console tray	•	•	•	•	•	•
	Passenger seat open tray	•	•	•	•	•	•
	Reversible centre console box	•	•	•	•	•	•
	Door pockets – driver and front passenger	•	•	•	•	•	•
	Cupholders – 2x front, 2x rear	•	•	•	•	•	•
	Manual back door	•	•				
	Power back door			•	•		
	Power back door with kick sensor					•	•
MULTIMEDIA	10.5" colour touchscreen display	•	•				
	12.9" colour touchscreen display			•	•	•	•
	12.3" colour Multimedia Information Display (MID)	•	•	•	•	•	•
	Inbuilt Navigation ⁵	•	•	•	•	•	•
	Embedded Drive Recorder ⁶	•	•	•	•	•	•
	5x USB-C ports	•	•	•	•	•	•
	Digital radio	•	•	•	•	•	•
	Bluetooth ^{®7} connectivity	•	•	•	•	•	•
	Wireless Apple CarPlay ^{®8}	•	•	•	•	•	•
	Wireless Android Auto ^{™9}	•	•	•	•	•	•
	Wireless phone charger		•	•	•	x2	x2
	6-speaker audio	•	•	•	•		
	9-speaker JBL ^{®10} premium audio					•	•
Steering wheel controls with audio, MID, voice recognition and Toyota Safety Sense controls	•	•	•	•	•	•	

RAV4 GRADE		GX	GXL	Edge	XSE	Cruiser	GR Sport
SAFETY	Toyota Safety Sense ¹¹ – including Lane Departure Alert, Lane Trace Assist, Pre-Collision Safety system with pedestrian and daytime cyclist detection and Intersection Turn Assist, Emergency Steering Assist, Road Sign Assist (speed signs only), Active Cruise Control (all speed) and Driver Assist Feature	•	•	•	•	•	•
	Front Cross Traffic Alert	•	•	•	•	•	•
	Blind Spot Monitor	•	•	•	•	•	•
	Rear Cross Traffic Alert	•	•	•	•	•	•
	Safe Exit Assist	•	•	•	•	•	•
	Front and rear parking sensors	•	•	•	•	•	•
	Reversing camera with Back Guide Monitor	•	•	•	•	•	•
	Panoramic View Monitor				•	•	•
	Anti-lock Braking System with Electronic Brake-force Distribution and Brake Assist	•	•	•	•	•	•
	Vehicle Stability Control and Automatic Limited Slip Differential	•	•	•	•	•	•
	Hill-start Assist Control	•	•	•	•	•	•
	8x SRS airbags – front, driver seat front centre, front side, full length curtain and driver's knee airbags	•	•	•	•	•	•
	Seatbelt warning – all seats	•	•	•	•	•	•
	ISOFIX child restraint anchorage points (outer rear seats)	•	•	•	•	•	•
TOYOTA CONNECTED SERVICES ^{12,13,14}	Toyota Essentials Emergency	Complimentary until Telstra 5G sunset or termination of services in accordance with our T&Cs					
	Toyota Essentials	Complimentary until Telstra 5G sunset or termination of services in accordance with our T&Cs					
	Toyota Connect+	1 year complimentary access – Fees apply thereafter. Subject to Telstra 5G sunset or termination of services in accordance with our T&Cs					
	Toyota Connected Multimedia	6 years complimentary access – Fees apply thereafter. Subject to Telstra 5G sunset or termination of services in accordance with our T&Cs					
	Connected Streaming	3 months complimentary access – Fees apply thereafter. Subject to Telstra 5G sunset or termination of services in accordance with our T&Cs					

- Weights/mass/volumes/dimensions are approximate and subject to individual vehicle variances, and should be confirmed before fitting any accessories, towing or otherwise relying on this value.
- Results achieved in ADR81/02 laboratory fuel consumption testing and do not reflect the fuel consumption in real world driving. Results were produced using new sample vehicles without fitment of accessories/customisation, and may not be replicable.
- Results were achieved under test conditions and do not reflect the driving range in real world driving. Results achieved for Plug in Hybrid RAV4 2WD and AWD is based on consumption rate of 184Wh/km for 2WD and 191Wh /km for AWD using the New European Driving Cycle (NEDC) laboratory test mandated by the ADR 81/02 (displayed on the Energy Consumption label affixed to the car). The electric range and the energy consumption values were determined using a fully charged battery in a laboratory test and are not reflective of real world driving. Actual driving range may vary depending on accessories fitted, battery age and condition, climate, driving style, use of heating/cooling, traffic conditions, and vehicle load. For more information, please visit toyota.com.au/explore/electrified/faqs
- Maximum vehicle braked towing capacity is subject to state and federal regulatory requirements. Before towing, customers should consider the vehicle's limitations, including towing capacity specifications, gross vehicle mass (GVM), gross combined mass (GCM), kerb weight specified by the manufacturer, and ensure that individual front and rear axle load limits are not exceeded as also specified by the manufacturer. Vehicle payload calculation is GVM less kerb weight or as otherwise specified in the vehicle owner's manual. Actual payload is affected by any added load to the vehicle, including the number of occupants, luggage, accessories, and tow ball download weight. It is important to consider the actual payload, to ensure the fully loaded vehicle remains within the specified GVM limits. For more details, please refer to the vehicle's Owner's Manual/ **Toyota Basic Towing Guide** or consult your authorised dealer. Toyota recommends use of a Load Distribution Hitch (LDH) when towing loads greater than half of the vehicle's GVM or as specified in the Owner's Manual. Based on road conditions, a LDH may not be suitable. Refer to **Toyota Basic Towing Guide**. Toyota Genuine LDH sold separately at additional cost. Warranty conditions apply. Refer to **Toyota Warranty Advantage Guide**
- Coverage varies based on vehicle location.
- Not available on all Connected Vehicle models. Please check toyota.com.au/services/connected to confirm availability. The vehicle Multimedia can store up to 4 manual or incident recordings

- and up to 90 minutes of continuous loop recordings. Functionality dependent on vehicle model, recording method, operational related components and other factors outside Toyota's control which can limit the ability or functionality of system. Check your Owner's Manual or toyota.com.au/services/connected for explanation of limitations.
- Bluetooth® is a registered trademark of Bluetooth SIG, Inc. Compatibility and functionality varies depending on device.
- CarPlay® is a trademark of Apple, Inc. registered in the U.S. and other countries. Requires compatible device, USB connection or Bluetooth® connection for vehicles fitted with wireless CarPlay,® mobile data, network reception and GPS signal. Mobile usage at user's cost. Apps subject to change. For details see toyota.com.au/services/connected
- Android Auto™ is a trademark of Google LLC. Requires compatible device, USB connection or Bluetooth® connection for vehicles fitted with wireless Android Auto™ mobile data, network reception and GPS signal. Mobile usage at user's cost. Apps subject to change. For details see toyota.com.au/services/connected
- JBL® is a registered trademark of Harman International Industries, Incorporated.
- Driver assist feature. Only operates under certain conditions. Check your Owner's Manual for explanation of limitations. Please drive safely.
- See toyota.com.au/services/connected/terms-conditions for T&Cs.
- Complimentary periods commence upon delivery date. Fees may apply there after. Not available outside Australia, if services disabled or terminated or after Telstra 5G sunset. Dependent on enabled DCM, GPS signal strength, mobile network coverage, mobile app data (at user's cost), enabled push notifications and other factors outside Toyota's control which can limit ability or functionality of system. Check your Owner's Manual or toyota.com.au/services/connected for explanation of limitations. Please drive safely.
- The myToyota Connect App supports vehicles with a Build date from 2009 onwards, with or without Toyota Connected Services. Requires compatible device and app installation, mobile data (at user's cost), Australian network reception, GPS signal, enabled push notifications and other factors outside Toyota's control which can limit functionality. Features vary by model and may change. See toyota.com.au/services/connected for more information.

IMPORTANT NOTICE – PLEASE READ: Toyota Australia uses its best endeavours to ensure material is accurate at the time of publishing. All information must be confirmed with your Toyota Dealer at the time of ordering, as specifications, applicability and availability may change over time. Colours depicted are a guide only and may vary from actual colours due to the printing/display process. Toyota Australia reserves the right to change and/or discontinue, without notice, models, prices, colours, materials, equipment, specifications. To the extent permitted by law, Toyota Australia will not be liable for any damage or loss incurred from relying on the information and images contained in this material. Distributed nationally (other than in Western Australia) by Toyota Motor Corporation Australia Limited ABN 64 009 686 097. Material distributed in Western Australia by or on behalf of Prestige Motors Pty Ltd (for vehicles) and by Eastpoint Pty Ltd (for parts/accessories). Toyota Australia makes no warranties regarding (and will not be liable for) accuracy of materials distributed in Western Australia. PROOF HQ: T2025-022989. GTO-009809. VERSION: MAY 2026.