

Power Through More



# GWM Haval H6GT Plug-In Hybrid with **Hi4**

\*Hi4 available on Ultra PHEV only.

# **GWM Haval H6GT.**

## **The sleek and practical coupe SUV.**

<b>Contents</b>	<b>Page 1</b>
<b>Introduction</b>	<b>Page 2</b>
<b>Design</b>	<b>Page 6</b>
<b>Performance</b>	<b>Page 12</b>
<b>Technology</b>	<b>Page 18</b>
<b>Safety</b>	<b>Page 20</b>
<b>Colour</b>	<b>Page 26</b>
<b>Dimensions</b>	<b>Page 28</b>
<b>Specifications</b>	<b>Page 30</b>

# Say hello to GWM Haval H6GT.



**GWM is a world-renowned vehicle manufacturer capable of designing and producing SUVs, utes and powertrains simultaneously. At GWM, everything we do is grounded in our corporate philosophy: ‘improving little by little every day.’**

**From building world-class research and development systems, which enable continuous innovation, to following the ‘excessive investment’ principle, which drives industry leadership, we relentlessly put our philosophy into practice. With nearly 8 million sales to date, in more than 170 countries (and counting), we are the No. 1 SUV brand in the world’s largest market and have been for the past 9 years. Our brand vision is to pioneer global mobility solutions, which use innovative technology to deliver a more pleasurable driving experience. Through innovation and global collaboration, we continue to improve our vehicles’ reliability, safety, performance, design and technology.**

# GWM Haval H6GT. The best of both worlds.

Part striking coupe, part smart SUV, the H6GT is for those who seek a sporty design that's effortlessly practical. Now available as a plug-in hybrid (PHEV Hi4), it offers 183km of pure electric range, plus turbo petrol when you want to go the distance – and then some, over 1000km.



19" alloy wheels



LED headlights and tail lights



Panoramic sunroof

# Engineered for individuality.

From the front to the back, the top to the bottom, every inch of the H6GT has been meticulously thought out. Whether you're ducking out to the shops, or on a road-trip, your best accessory will always be with you.



*Rear Seats 60/40 Split*



*14.6 inch Full Colour Touch Screen Infotainment System\**



*50W wireless charger\**

\*PHEV model only



*Refined leather detailing*

**Power is in the details.**



*Multi-function steering and center console\**



*Spacious boot design*

\*PHEV model only

\*Optional Genuine accessory boot mat shown

# Meet **Hi4**



The H6GT is available in both PHEV Hi4 and petrol, with the option of AWD to tackle anything. The PHEV Hi4 pairs a 1.5L turbocharged engine with individual electric motors on both front and rear axles. It is GWM's latest Hybrid Intelligent 4 wheel drive system (decoupled). Boasting a 0-100km/h acceleration time as low as 4.58 seconds with GWM's latest Hi4 technology. Offering outstanding performance yet unbelievable efficiency.

Prefer petrol? The 2.0L turbo engine is paired with a 7-speed dual-clutch transmission, for crisp gear shifts and a more direct drive feel.

**Life's a blur?  
How good.  
Petrol or Plug-In  
Hybrid, the GWM  
H6GT PHEV will get  
you up to speed, fast.**





# Drive smart.

From the digital instrument panel and heated seats, to the voice command or LED dash lighting, the H6GT PHEV Hi4 dash lighting and panoramic sunroof, the H6GT comes with an array of advanced features to make every drive seamless and comfortable, wherever you go. Just say, "Hello GWM", to activate Voice Command and control the climate settings, open the sunroof, adjust the media volume and more with your voice - helping you keep your eyes on the road and hands on the wheel.



# Safety in every journey.

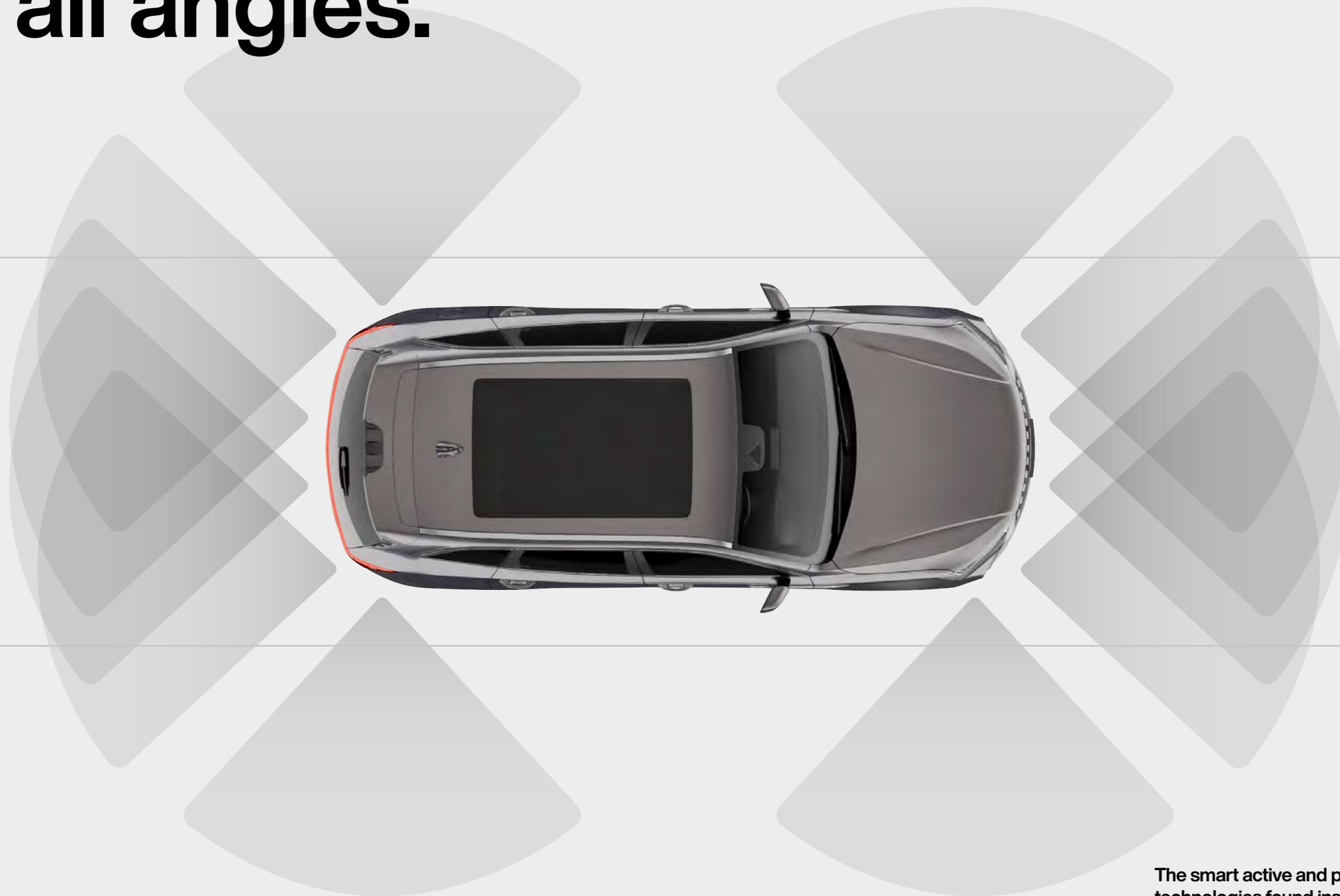


ANCAP Safety test

This sporty and stylish SUV is also unbelievably safe. Having achieved the highest possible 5 star safety rating by ANCAP, the Haval H6GT comes with a comprehensive suite of safety systems designed to protect you and others on the road. Advanced safety features including Intelligent Adaptive Cruise Control, Lane Keep Assist, Traffic Sign Recognition, Traffic Jam Assist, and Intelligent Parking Assist\* all combine to give you peace of mind knowing that GWM is looking out for you and everyone else around you every time you drive.

\*Only applicable on Petrol variants a ANCAP 2022 rating

# Protection from all angles.



The smart active and passive safety technologies found inside the H6GT including Auto Emergency Braking, Rear Cross Traffic Assist, Lane Departure Warning, Blind Spot Detection and a 360-view camera, will let you know who or what's in front, behind and either side of you every time you take the vehicle out for a drive.

# GWM Care.

Every GWM comes with GWM Care. It begins from the moment you take delivery of your vehicle and continues long into the future. Wherever the road leads, you can rest assured knowing that your GWM will be kept at its best for many years to come.

**8** Year  
Unlimited KM  
Battery Warranty\*

**7** Year  
Unlimited KM  
Warranty

**5** Year  
Roadside  
Assist

**5** Year  
Capped Price  
Servicing

\*Plug-in Hybrid only.



GWM vehicles are available in a range of stunning contemporary colours.



*Standard Colour*

**Hamilton White**

*Premium Colour (+\$495)*

**Golden Black**

*Premium Colour (+\$495)*

**Atlantis Blue**

**Crayon Grey**

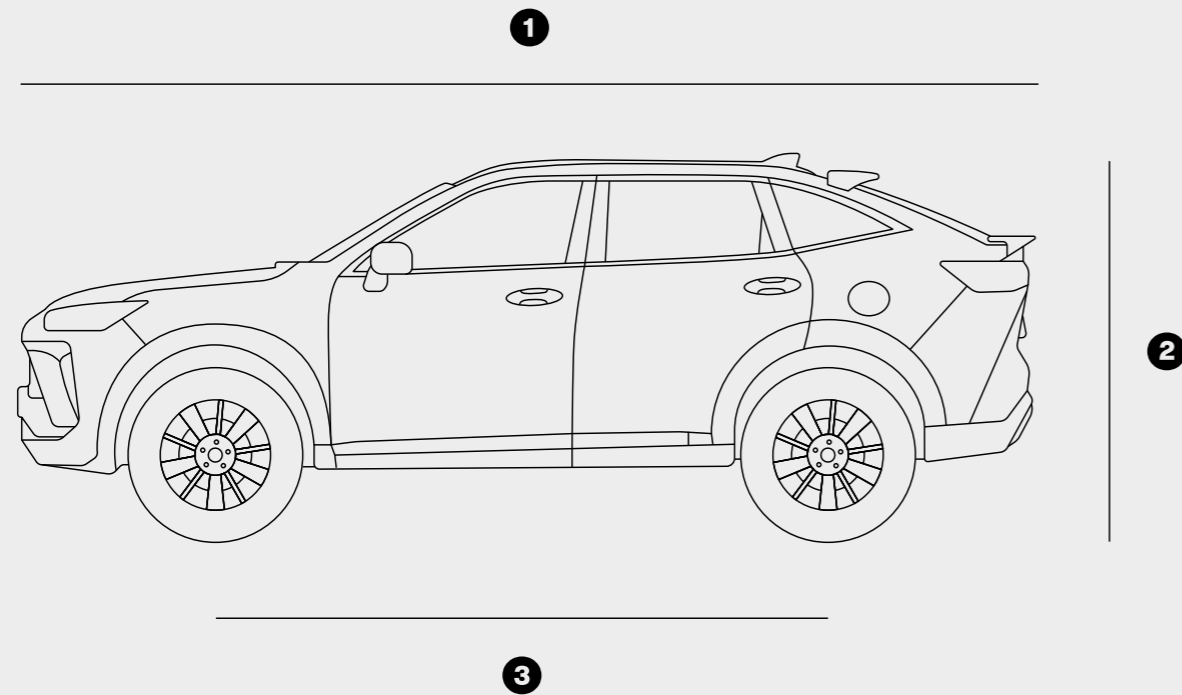
*Premium Colour (+\$495)*

**Burgundy Red**

*Premium Colour (+\$495)*

# Colour.

- ① Length: 4727mm
- ② Height: 1729mm
- ③ Wheelbase: 2738mm
- ④ Width: 1940mm



# Dimensions.

		Ultra AWD	Ultra PHEV Hi4 AWD
<b>Dimensions</b>	Length/Width/Height (mm)	4727x1940x1729	4727x1940x1729
	Wheelbase (mm)	2738	2738
<b>Engine</b>	2.0L Turbo Petrol	●	-
	1.5L Turbo Petro	-	●
	Displacement (cm <sup>3</sup> )	1998	1499
	Max power (kW@rpm)	150 @ 6000-6300	110 @ 5500-6000
	Max torque (Nm@rpm)	320 @ 1500 - 4000	240 @ 1800-4000
	Front motor max output (kW)	-	80
	Rear motor max output (kW)	-	135
	Combined max power (kW)	-	321
	Combined max torque (Nm)	-	642
	Bore x stroke (mm)	82 x 94.6	75 x 84.9
	Compression ratio	12.0 : 1	10.92:1
	Fuel economy (L/100km) combined <sup>2</sup>	8.4	0.6
	Carbon Dioxide Emissions (g/100km)	193	14
	Combined fuel consumption Condition A	-	0
Combined fuel consumption Condition B	-	5.3	
Recommended fuel octane rating	91	91	
<b>Battery</b>	Battery chemistry	-	Ternary lithium battery
	Battery capacity	-	35.43 kWh
	Battery voltage	-	310.8 v
	Max AC charge rate	-	6.6 kW
	Max DC charge rate	-	48 kW
	V2L max output	-	3.3 kW
	EV range	-	183km
<b>Transmission</b>	Transmission	7-Speed dual clutch	4-Speed DHT
	Driveline	AWD	AWD
<b>Wheels</b>	Size	19" Alloy Wheel Black	19" Alloy Wheel Black
	Spare wheel	T135/90R17	Tyre repair kit
<b>Brakes</b>	Front and rear	Front: Ventilated disc brake / Rear: Solid disc brake	Front: Ventilated disc brake / Rear: Ventilated disc brake
	Front brake size	Single piston (60mm) calliper - 328.5mm	Twin piston (48mm) calliper - 340mm
	Rear brake	Single piston (38mm)	Single piston (42mm)
	Electronic park brake with brake hold	●	●
<b>Chassis and Steering</b>	Suspension	Front: Macpherson / Rear: Multi lin	
	Turning circle - kerb to kerb (m)	12.0	11.9
	Driving Modes - 4WD (Standard modes + All Terrain Response System)	●	-
	Driving modes - 4WD (Normal + ECO + Sport + Snow + Sand + Mud + Towing + 4WD)	-	●
	Power modes - EV + EV priority + HEV	-	●
	Launch control	-	●
	Steering mode	Comfort, Sport, Light	
	Intelligent Start Stop	●	-

# Specifications.

		Ultra AWD	Ultra PHEV Hi4 AWD
<b>Weights and Capacities</b>	Towing capacity <sup>3</sup> - with trailer brakes	2,000	1,500
	Towing capacity <sup>3</sup> - without trailer brakes	750	750
	Tare weight <sup>1</sup> (kg)	1615	2,041
	Kerb weight <sup>1</sup> (kg)	1,680	2,045
	Gross Vehicle Mass <sup>1</sup> (kg)	2,100	2,495
	Seating capacity	5	5
	Luggage capacity (L) Minimum	392	392
	Luggage capacity (L) Maximum	1390	1390
	Fuel tank capacity (L)	60	55
<b>Exterior</b>	Electric Tail Gate with hands-free opening	●	●
	Automatic Windscreen Wipers	●	●
	Roof Rails	●	●
	Panoramic Sunroof with Shade	●	●
	Shark Fin Aerial	●	●
<b>Interior</b>	Multi - Function Steering Wheel	●	●
	Microfibre Faux Leather Steering Wheel	●	●
	Heated Steering Wheel	●	●
	Paddle Shifter	●	-
	Column Electronic Gear Selector	-	●
	4 - Way Manually Adjustable Steering Wheel	●	●
	Illuminated sun-visor with vanity mirror	●	●
	Wireless Charging	●	●
	Front 12V Power	●	●
	Luggage Cabin 12V Power	●	●
Dash cam USB port	●	●	
Cargo Cover	●	●	
<b>Seats</b>	Comfort-Tek grey suede leather accented seat trim	●	●
	8-way electric adjustable driver seat including 2-way lumbar support	●	●
	4-way electric adjustable front passenger seat	●	●
	Front heated & ventilated seats	●	●
	Rear Seats 60/40 Split	●	●
<b>Entertainment</b>	10.25 inch digital cluster	●	●
	Radio FM / AM	●	●
	Bluetooth hands free link system	●	●
	DAB Broadcast - Single antenna	-	●
	12.3 inch full colour touch screen infotainment system	●	-
	14.6 inch full colour touch screen infotainment system	-	●
	2x Front USB with charge & data	●	●
	2x Rear USB with charge	●	●
	8 Speakers	●	-
	9 Speakers Premium audio	-	●
Apple CarPlay® + Android Auto™	Wired	Wireless	
HUD (Heads Up Display)	●	●	
<b>Security</b>	Keyless Entry System	●	●
	Push button start	●	●
	Anti-theft immobiliser	●	●

		Ultra AWD	Ultra PHEV Hi4 AWD
<b>Glass</b>	Rear privacy glass	●	●
	Anti glare rear view mirror - Auto	●	●
	Four window: one touch up & down + anti-pinch	●	●
	Key fob window close function	●	●
	Heated door mirrors	●	●
	Power adjustable heated door mirrors + electric fold + Indicator + auto fold	●	●
<b>Safety</b>	Dual SRS airbags	●	●
	Front Side airbags	●	●
	Centre airbag	●	●
	Curtain airbags	●	●
	Front seat belts: Pre-tensioners with load limiters	●	●
	Outer rear seat belts: Pre-tensioners with load limiters	●	●
	Seatbelt reminder (all seats)	●	●
	ISOFIX	●	●
	Child Safety Lock	●	●
	ESC (Electronic Stability control)	●	●
	TCS (Traction Control System)	●	●
	RMI (Roll Movement Intervention)	●	●
	BA (Brake Assist)	●	●
	HDC (Hill Descent Control)	●	●
	HHC (Hill-Start Assist Control)	●	●
	BOS (Brake Override System)	●	●
	TPMS (Tyre Pressure Management System)	●	●
	Front Parking Sensors	●	●
	Rear Parking Sensors	●	●
	360° view monitor	●	●
	Intelligent Parking Assist <sup>7</sup>	●	●
	Reverse Assist <sup>7</sup>	●	●
	ACC <sup>7</sup> (Adaptive Cruise Control) with Stop and Go	●	●
	Intelligent Cornering Control	●	●
	Intelligent Dodge	●	●
	ELK (Emergency Lane Keep)	●	●
	RCTA (Rear Crossing Traffic Alert)	●	●
	RCTB (Rear Crossing Traffic Braking)	●	●
	FCW (Forward Collision Warning)	●	●
	LDW (Lane Departure Warning)	●	●
LKA (Lane Keeping Assist)	●	●	
LCK (Lane Centre Keeping)	●	●	
AEB (Automatic Emergency Braking) Pedestrian, Bicycle & Crossroads	●	●	
TSR (Traffic Sign Recognition)	●	●	

# Specifications.

		Ultra AWD	Ultra PHEV Hi4 AWD
<b>Safety (Continued)</b>	Lane Change Assist	●	●
	RCW (Rear Collision Warning)	●	●
	DOW (Door Open Warning)	●	●
	TJA (Traffic Jam Assist)	●	●
	ICA (Intelligent Cruise Assistance)	●	●
	IACC (ACC Integrate TSR)	●	●
	Driver Drowsiness Detection	●	●
<b>Lighting</b>	LED Headlights	●	●
	LED Tail Lights	●	●
	Auto On/Off Headlights + "Follow Me Home" Function	●	●
	LED Front Fog Lights	●	●
	Fog Lights with Assist Lighting Function	●	●
	LED Rear Fog Lights	●	●
	DRL (Daytime Running Lights)	●	●
	Ambient Lighting (Single Colour)	●	●
<b>Air Conditioning</b>	Dual-Zone Automatic Air Conditioning	●	●
	Auto Demisting	●	●
	Rear Passenger Air Vents	●	●

1 Weights/mass/volumes/dimensions are approximate and subject to individual vehicle variances, and should be confirmed before fitting any accessories, towing or otherwise relying on this value.

2 Results achieved in ADR81/02 fuel consumption testing. Results produced in laboratory test conditions, using sample vehicles without fitment of accessories/customisation, and do not reflect real world driving. Figures should only be used for comparative purposes.

3 Towing capacity subject to regulatory requirements, tow bar and vehicle design and towing equipment limitations.

4 Android Auto™ is a trademark of Google LLC. Requires compatible device, USB connection, mobile data, network reception and GPS signal. Mobile usage at user's cost. Functionality subject to change.

5 CarPlay® is a trademark of Apple Inc in the U.S. and other countries. Requires compatible device, USB connection, mobile data, network reception and GPS signal. Mobile usage at user's cost. Functionality subject to change.

6 Vehicle dynamic control system includes Anti lock Brake System (ABS), Electronic Brake pressure Distribution (EBD), Traction Control System (TCS), Roll-over Mitigation Intervention (RMI), Electronic Stability Control (ESC)

7 This is a driver assistance feature, driver must always maintain control of the vehicle, monitor traffic conditions, nearby environment and be ready to take over control.





**For more information visit [gwmanz.com/au](https://gwmanz.com/au)**

GWM Australia reserve the right to alter vehicle specifications and equipment levels without notice. Some equipment featured on vehicles in this brochure may not be available or may be optional. To the extent permitted by law, GWM Australia shall not be liable to any person as a result of reliance on the content of the brochure. Always check with your local GWM Dealer for the latest product specifications.

Information in this brochure is current as at 23/04/2026.

Edition Code: GWMA 20260423.

Copyright © GWMA. All rights reserved.