

**SITRAK**

# G7S 6X4 PRIME MOVER



(Reference Photo)

## EXTERNAL DIMENSIONS

Length(mm)	7345
Width(mm)	2500
Height(mm)(empty)	3600
Wheel base(mm)	3600+1400
Wheel track(mm)	Front 2080 Rear 1842
height of fifth wheel ground clearance (mm)	1182
Approach angle(°)	19
Departure angle(°)	22
Front overhang(mm)	1475

## FEATURES

- **Reliable MC13.54-61 engine with 540Hp and High Torque.**
- **12 Speed ZF AMT gearbox.**
- **Comfortable cab for operator comfort.**
- **Bosch steering pump /LCD Color display/ WABCO brake control/Voss connector/JOST fifth wheel.**
- **Differential locks and cross locks for when the going gets tough.**
- **Alloy rim/air tank to reduce tare weight.**
- **EBS/ACC/AEBS/HAS/FCWS/WABCO Radar/ 360-degree surround view.**
- **The new G7S offers you flexibility configurations to meet your transportation requirements.**

**SITRAK**

# G7S 6X4 PRIME MOVER

## WEIGHTS

GVM (kg)		25000
Max load of two axles (kg)	Front	7000
	Rear	18000
GCM (kg)		90000

## CAPABILITY

Max speed(km/h)	100
Min turning diameter (m)	16
Max climb gradient (%)	≥30
Fuel tank (L)	600L

## CABIN

Model	G7S-E
Sits	2
Turning radius (mm)	2770

## ENGINE

Model	MC13.54-61
Displacement (L)	12.42L
Power rating kW/(r/min)	400/1800
Max torque Nm/(r/min)	2550/1000~1400

## CLUTCH

Model	430 diaphragm model
Operation Mode	Electrically controlled operating with air

## TRANSMISSION

Model	ZF 12TX2621TO
Forward gear ratio	16.688,12.924,9.926,7.688,5.89, 4.656,3.655,2.831,2.174,1.684, 1.291, 1.000;
	Reverse gear

## FRAME

Model	ladder framework	
Main beam cross-section (mm)	C type 270×85×8	
Width of frame Assembly(mm)	Front	942
	Rear	762

## DRIVING AXLE

Model	MCY13BES	
Redactor ratio	Ratio	3.08
	Optional	3.36/3.7
Differential lock	interwheel & interaxle diff. lock	

## FRONT AXLE

Model	VPD71DS
-------	---------

## SUSPENSION

Front	Model	Non-independence
	Number	3 leaf parabolic
Rear	Model	Non-independence
	Number	8 air bag

## STEERING GEAR

Model	Recirculating ball hydraulic power
Ratio	17 ~ 20:1
Max pressure of pump (kPa)	20000
Steering way	Steering wheel

## BRAKING SYSTEM

Working pressure (kPa)	1250
Drive braking type	Dual circuit
Brake power adjust type	EBS ESC
Parking brake type	Spring stored energy air cut brake
Assistant brake type	Jake Engine Brake

## ELECTRICS

Circuit type	double, control positive pole
Voltage (V)	24
Generator power (kW)	5.0
Accumulator voltage / capacity(V/Ah)	2x12/240

## EXTRAS

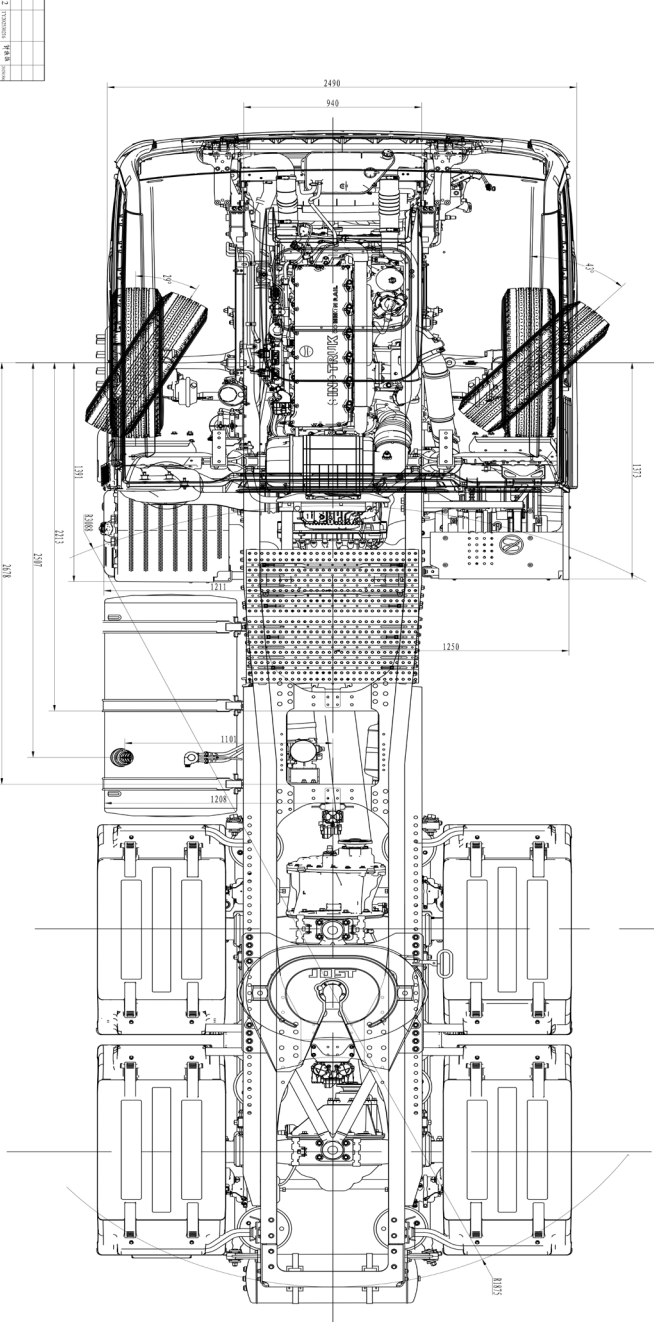
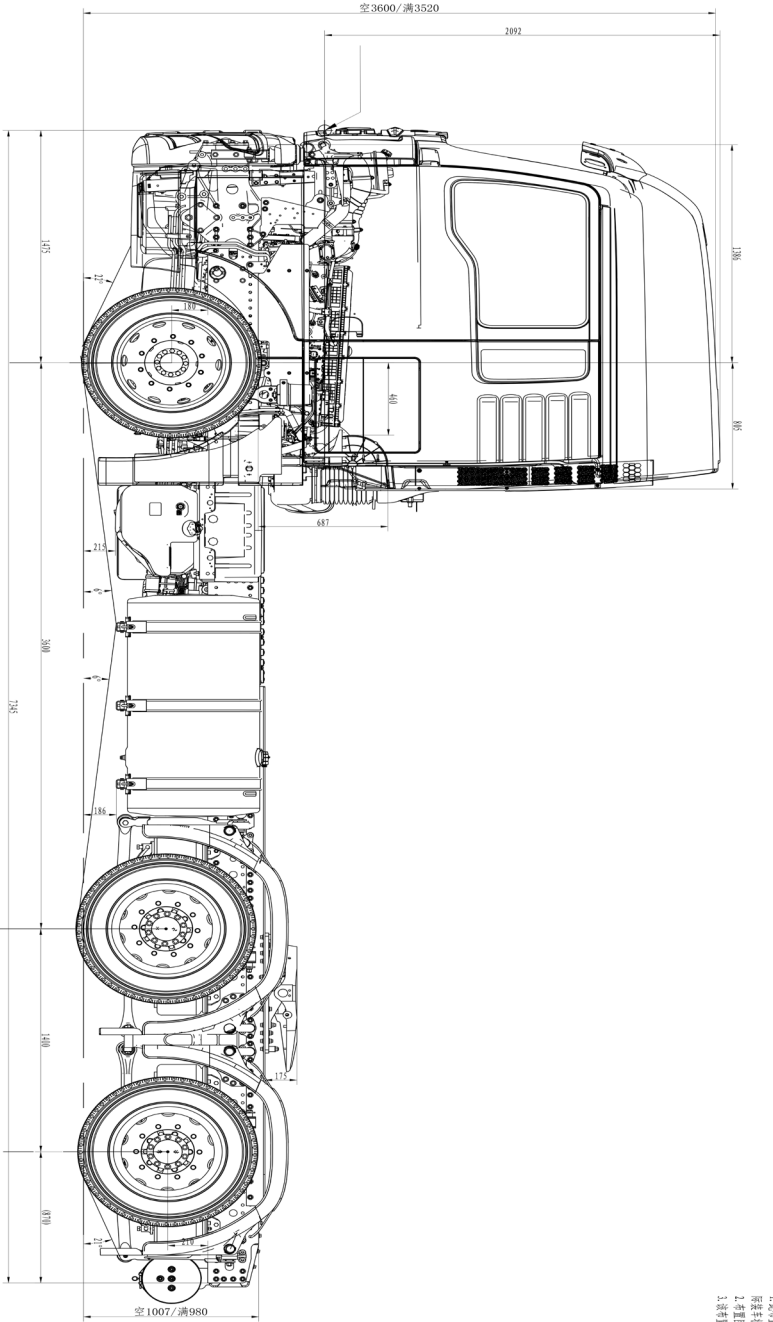
Trailer brakes ABS to rear	Included
Sun visor, side skirts	Included



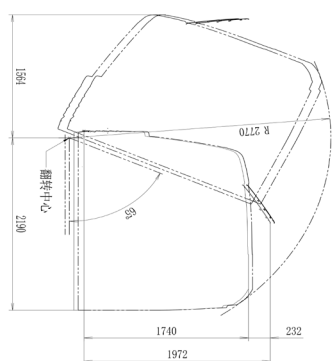
# SITRAK

# G7S 6X4 PRIME MOVER

AZ00000006966



技术要  
1. 本数据表仅供参考，不作为法律依据。如有变更，恕不另行通知。  
2. 本数据表仅供参考，不作为法律依据。如有变更，恕不另行通知。  
3. 本数据表仅供参考，不作为法律依据。如有变更，恕不另行通知。



驾驶室翻转到位后的参数  
1:20

底盘配置	
驾驶室	G7S-E驾驶室
发动机	MC13.54-61TD发动机
变速器	ZF12J132821 TD变速箱(带液力缓速器)AM/6直连式动力
前轴	VPD/DSS前轴(盘)
后桥	MCY1388S后桥(盘)
油桥	600油桥
桥型	JOST桥型
轴距	前2750/后2225.5后2750/7002.5轴距

本外限因技术参数为截止2023年12月11日技术状态，以后如有更改，恕不另行通知

AZ00000006966